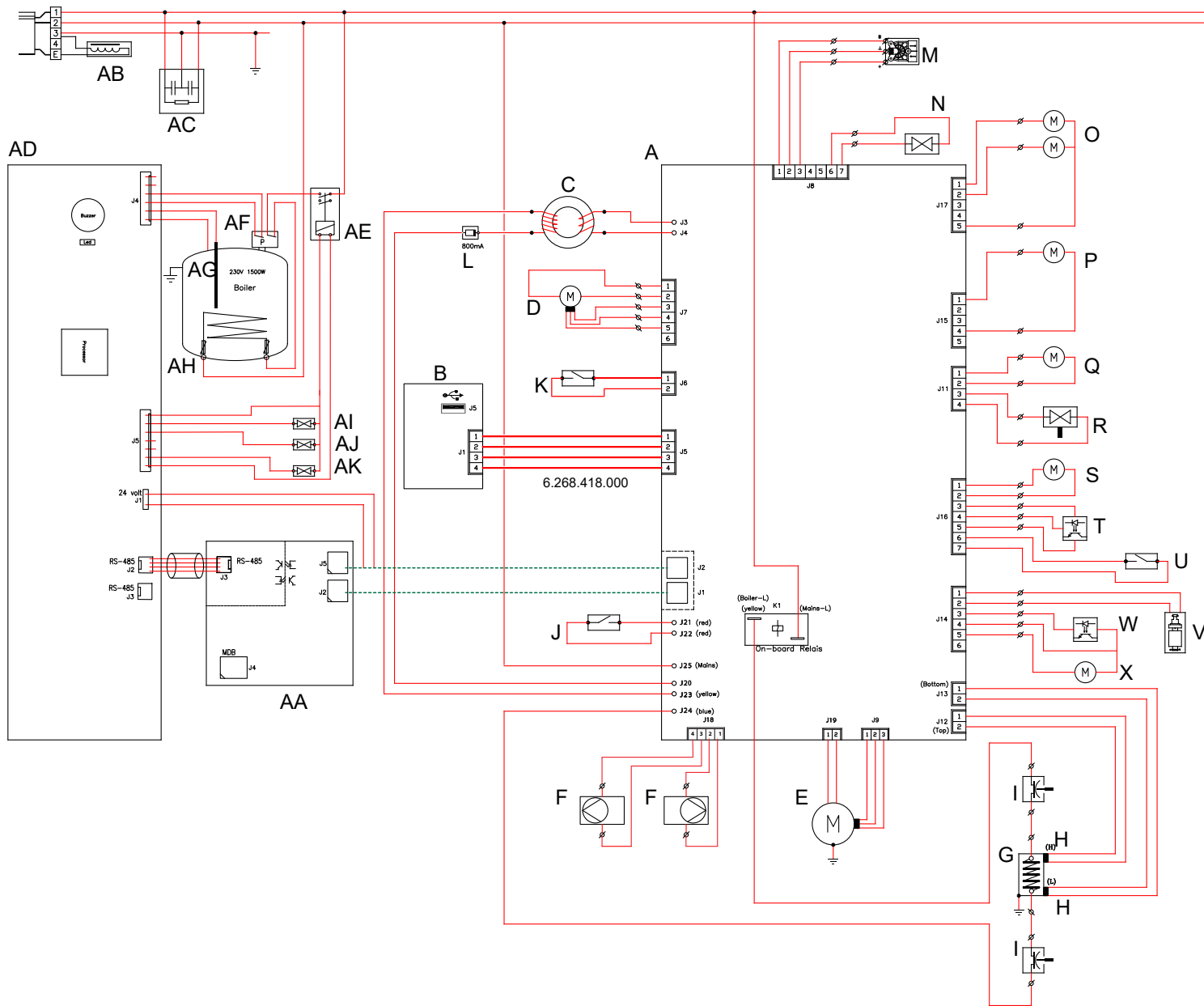


Sego 11L / 12L version 2.0 (230V)



- A. Mainboard (I/O)
- B. Keyboard (GUI)
- C. Transformer
- D. Motor, Brewer
- E. Motor, Grinder
- F. Pump, high pressure
- G. Boiler
- H. NTC resistor (temp.)
- I. Limiter, temperature safety
- J. Switch, Main
- K. Switch, Door
- L. Fuse
- M. Water counter
- N. Valve, cold water
- O. Motor, Hopper
- P. Motor, Mixer
- Q. Motor, Fan
- R. Valve, hot water
- S. Motor, Waterselector
- T. Lightsensor, Waterselector
- U. Switch, Brewer in position
- V. Floater
- W. Lightsensor, Motor pump
- X. Motor, Pump low pressure
- Y. Temperature sensor (NTC)
- Z. Relay, Mainboard
- AA. Print MDB (optional)
- AB. Interference suppression coil
- AC. RC combination
- AD. Mainboard milk module
- AE. Relay
- AF. Pressure switch
- AG. Boiler probe
- AH. Boiler
- AI. Inlet valve - boiler
- AJ. Inlet valve - cleaning
- AK. Steam valve

6.268.418.000 : Wire 4-poll. l=1100